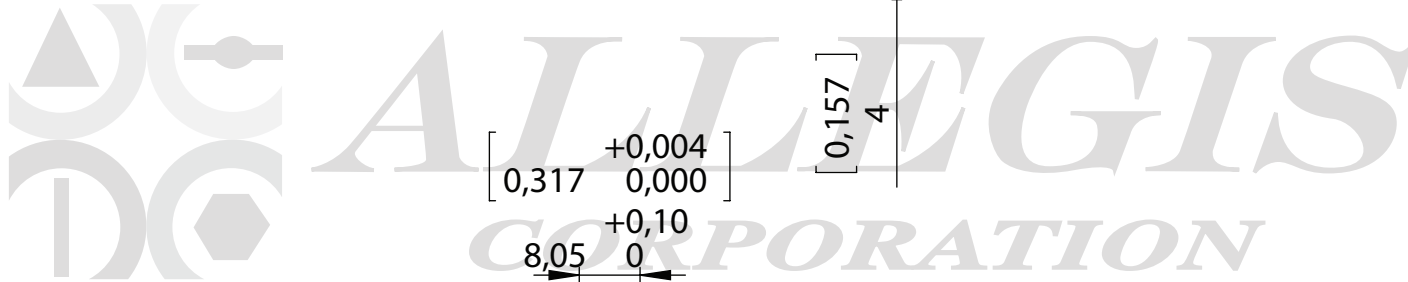
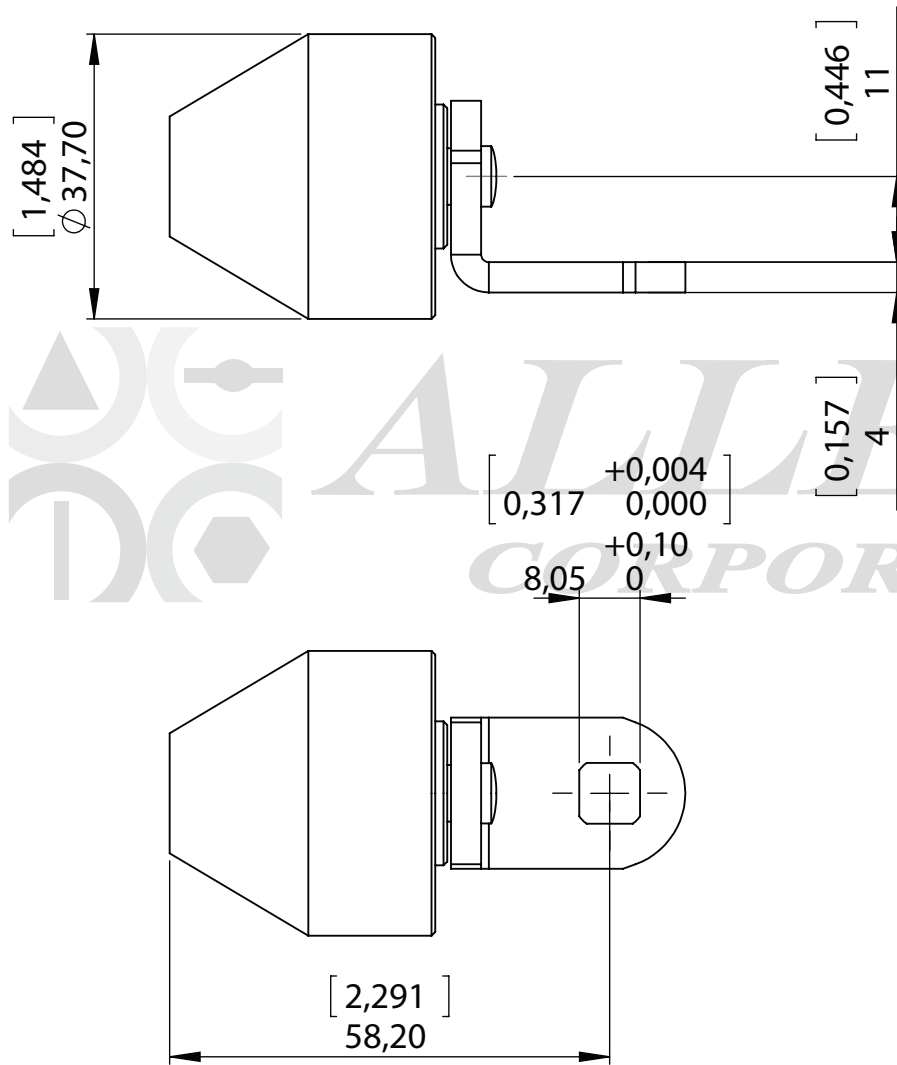


APPROVAL - CUSTOMER NAME & SIGNATURE

DATE



**www.ALLEGISCORP.com**  
**1-866-378-7550**

MATERIAL / FINISH :

Machined roller cam & 316 SS bracket

REV. :

1 : 2

DATE :

2-20-2017

DESCRIPTION :

Roller Cam

DRAWING NO. :

CAM 287